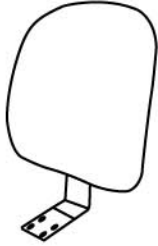
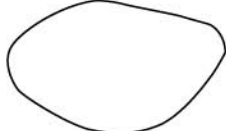
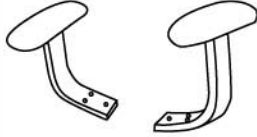
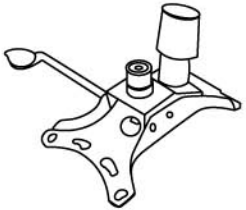
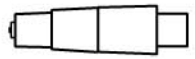

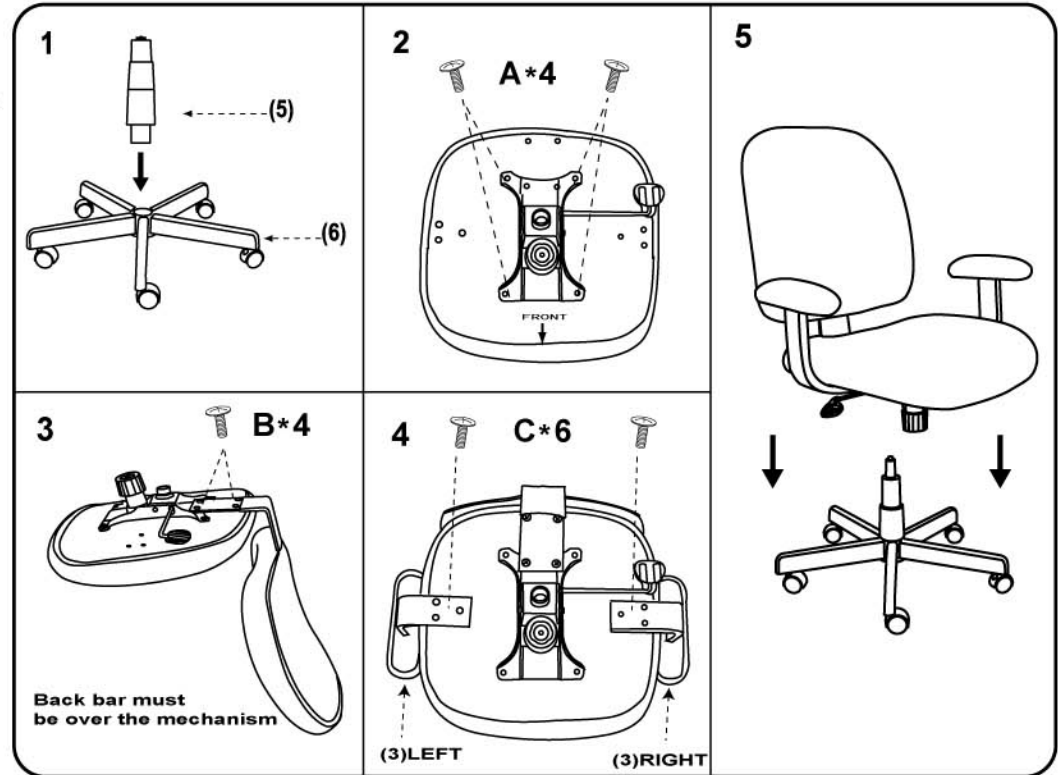


# MODEL : B490 Series

**Please unscrew all hardware from cushion before assembly.**  
**Por favor de destornillar todos los tornillos del cojín antes de ensamblar la silla.**

(1)x1	(2)x1	(3)x1 (L)x1 (R)
		
Back Cushion	Seat Cushion	Left-Arm Right-Arm
(4)x 1	(5)x1	(6)x1
		
TU001 Mechanism	TU026 Gas Lift W/ Cover	Wood Base w/Casters
(A)*4	M8*22 Mechanism Screws	
(B)*4	M8*30 Back Bar Screws	
(C)*6	M6*36 Arm Screws	



Insert and loosely tighten all screws. When assembly is completed, fully tighten all screws before using. This chair is only intended for sitting. Any other use will void the warranty.



**Customer Service Hotline: 1-800-593-1888**  
**For further assembly instructions,**  
**please visit our website at [www.bosschair.com](http://www.bosschair.com)**