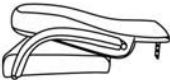







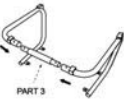
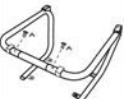

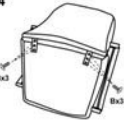

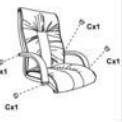



Please unscrew all hardware from cushion before assembly.
Por favor de destornillar todos los tornillos del cojín antes de ensamblar la silla.

MODEL: 9309

(1)x1	
	
Back & Seat W/ ARMS	
(2)x1	(3)x1
	
Sled Base Connecting Bar	
(A)*2PCS	 M6*8 CONNECTING BAR SCREW
(B)*6PCS	 M6*25 BACK BAR SCREWS
(C)*4PCS	 ARM CAP
(D)*4PCS	 M6*22 SLED BASE/SEAT SCREW
(E)*1PC	 ALLEN KEY

1 	2 	3 
4 	5 	6 
7 	<p>Note: Please tighten all arm screws using allen key before step 6</p> <p>Insert and loosely tighten all screws. When assembly is completed, fully tighten all screws before using. This chair is only intended for sitting. Any other use will void the warranty.</p>	



Customer Service Hotline: 1-800-593-1888
For further assembly instructions,
please visit our website at www.bosschair.com