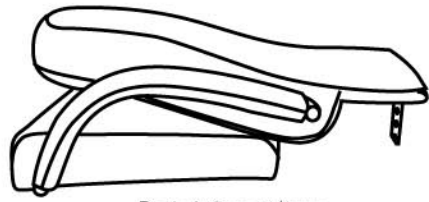



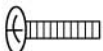

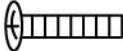
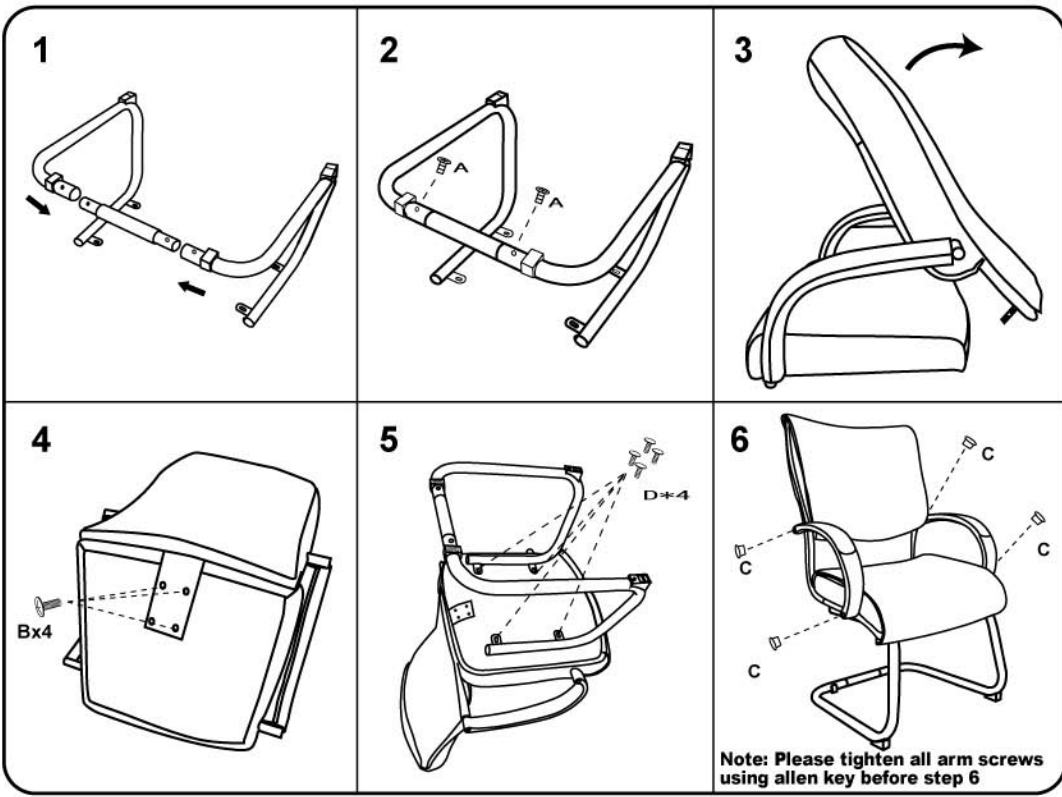


Please unscrew all hardware from cushion before assembly.
Por favor de destornillar todos los tornillos del cojín antes de ensamblar la silla.

MODEL : 9709 9709C

(1)x1		
 <p>Back & Seat W/Arms</p>		
(2)x1	(3)x1	
 <p>Sled Base</p>	 <p>Connecting Bar</p>	
(A)*2PCS		M6*8 CONNECTING BAR SCREW
(B)*4PCS		M6*25 BACK BAR SCREWS
(C)*4PCS		ARM CAP
(D)*4PCS		M6*22 SLED BASE/SEAT SCREW



Note: Please tighten all arm screws using allen key before step 6

Insert and loosely tighten all screws. When assembly is completed, fully tighten all screws before using. This chair is only intended for sitting. Any other use will void the warranty.

Customer Service Hotline: 1-800-593-1888
For further assembly instructions,
please visit our website at www.bosschair.com

