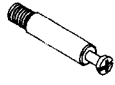




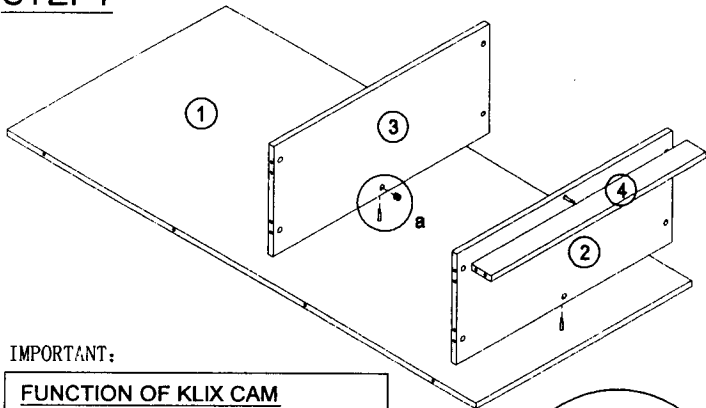


Assembly Instructions MODEL NO.:N158

BOOKCASE

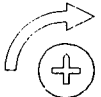
TUN010CL	TUN011KC	TUN026	TUN030AG	TUN020SD
A  Cam LOCK 25PCS	B  Klix Cam 25PCS	C  Dowel 16PCS	D  Adjustable Glide 4PCS	E  Shelf dowel 12PCS

STEP1



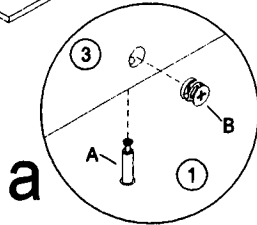
IMPORTANT:

FUNCTION OF KLIX CAM

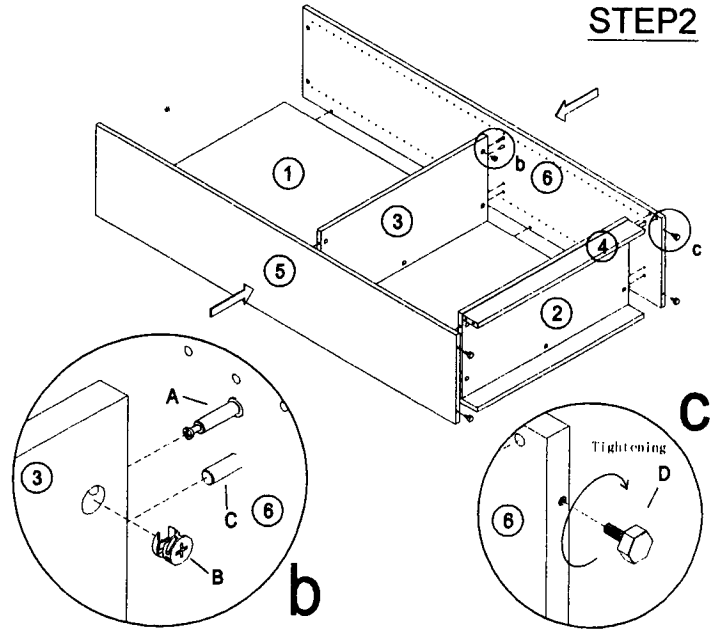


1/4 RIGHT
TURN FOR
LOCKING

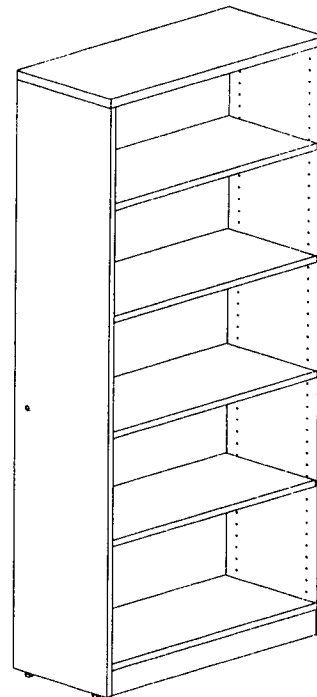
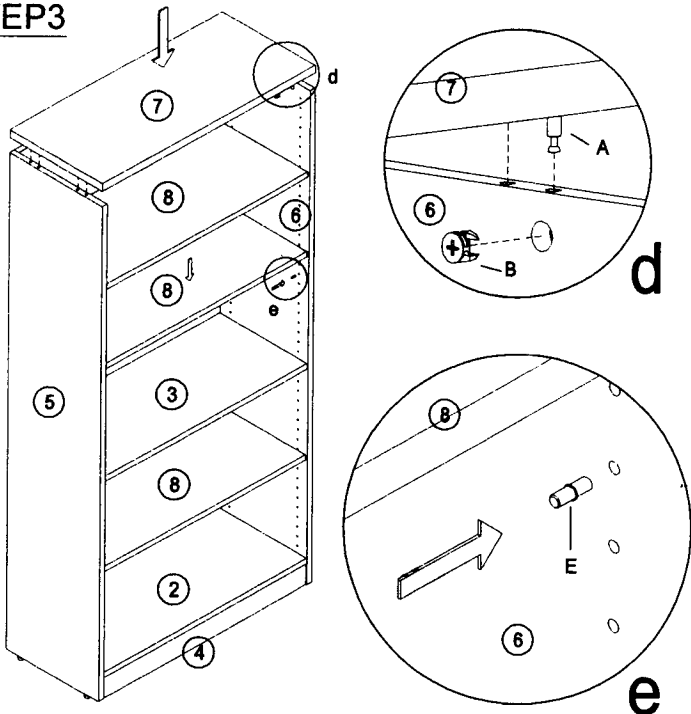
MAKE SURE THE ARROW IS
POINTING UPWARDS
BEFORE INSERTING INTO
THE PANEL'S HOLE.



STEP2



STEP3



COMPLETED ASSEMBLY

IMPORTANT NOTE:

- Place all laminated parts on a clean and smooth surface such as a rug or carpet to avoid the parts from being scratched.
- Check to be sure that you have all parts and hardware.
- Remove all wrapping materials, including staples & packing straps before you start to assemble.
- Don't tighten all screws/bolts until all completely assembled.